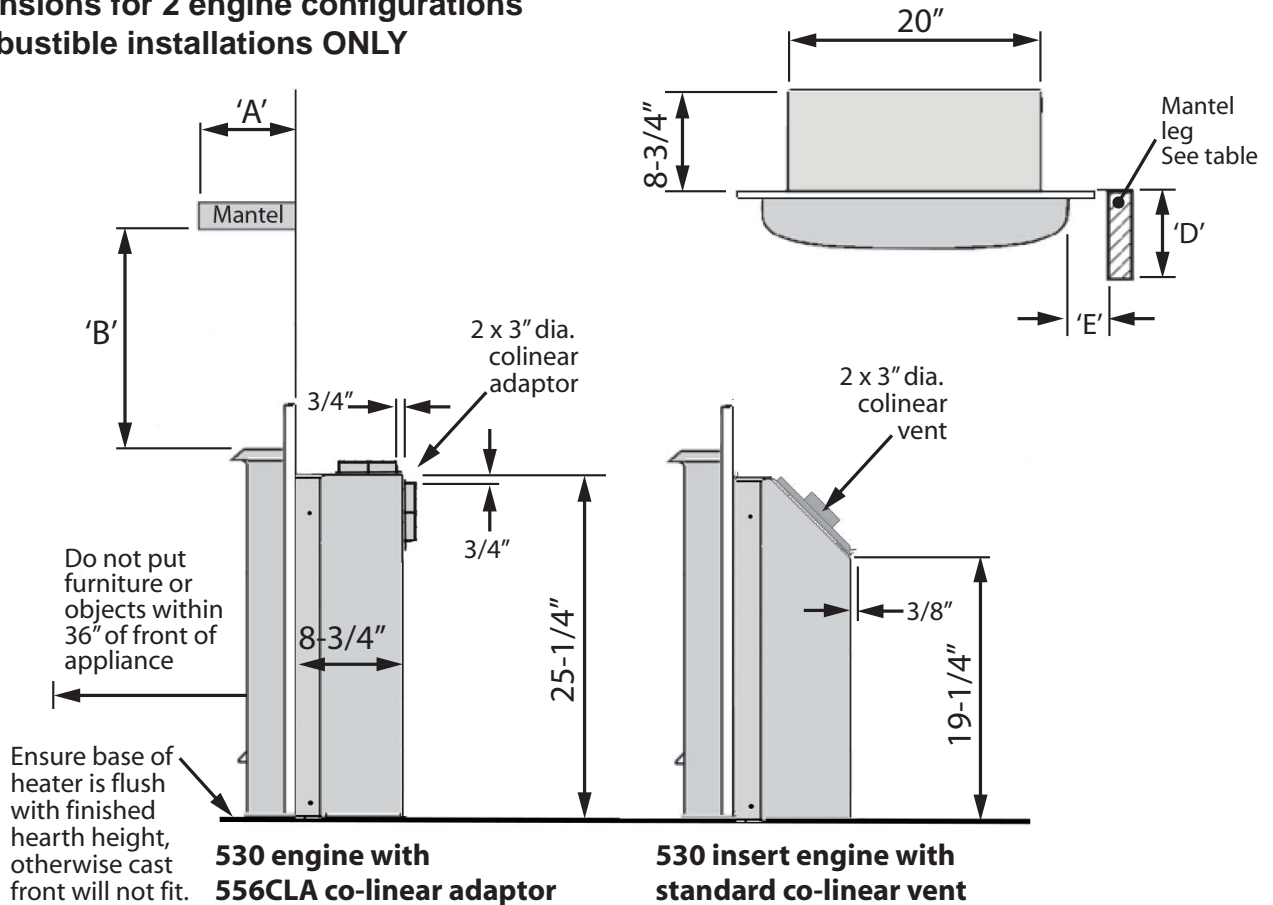
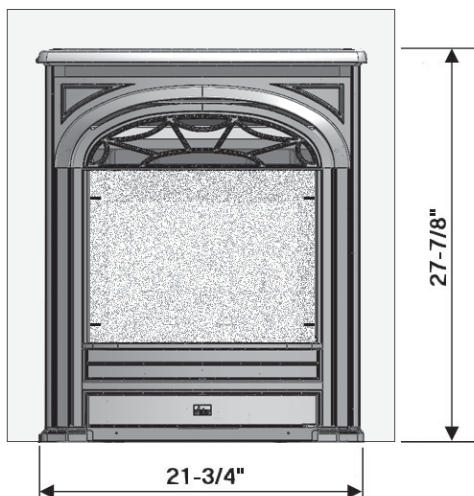


Dimensions

Insert dimensions for 2 engine configurations
—non-combustible installations ONLY



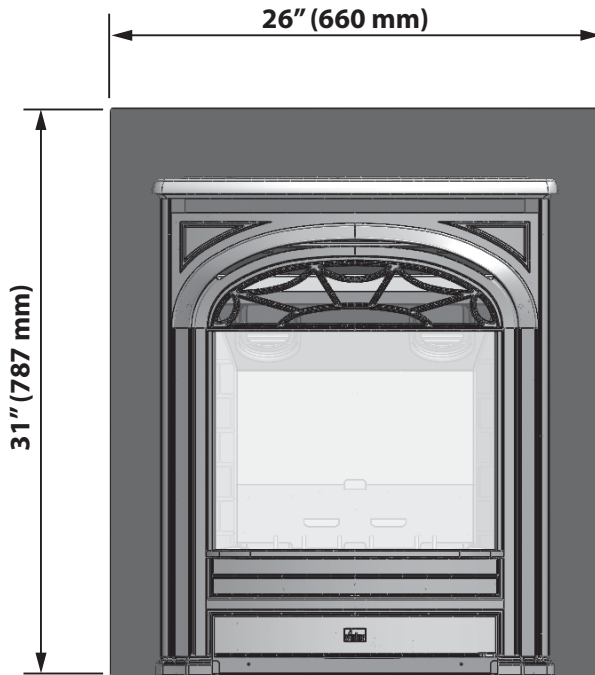
Clearances



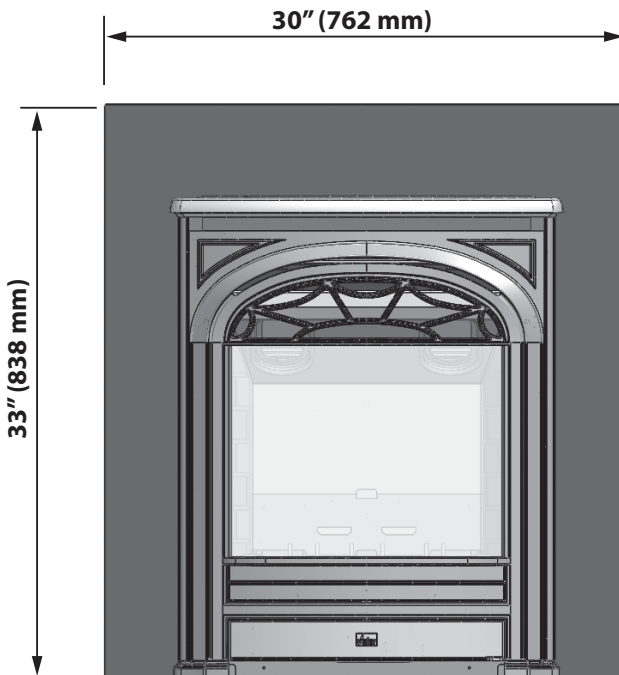
Mantel depth "A"	Min. clearance "B"
Up to 7"	4"
Above 7" up to 8"	5"
Above 8" up to 9"	7"
Above 9" up to 10"	8"
Above 10" up to 12"	9"
More than 12"	9"+extra 1" for every 1" depth above 12"
Mantel leg projection "D"	Min. clearance from appliance side "E"
Up to 8"	2"
More than 8"	6"

582CPB or 583CPB Closure Plate (required)

Dimensions



582CPB Closure Plate



583CPB Closure Plate